

SOLID FRP LAMINATE IN WAY OF ALL STRUCTURAL HARDWARE MOUNTINGS. ENSURES INTEGRITY OF DECK CORING.

NPG ISO-THALIC GEL COAT, SUPERIOR COLOR AND GLOSS RETENTION. NON-SKID IN CONTRASTING COLOR.

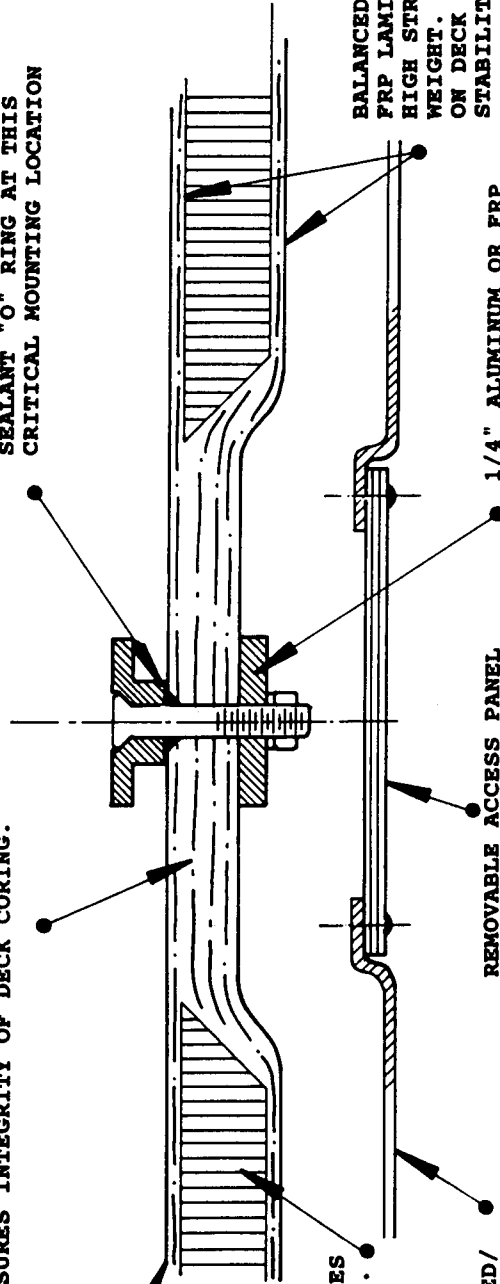
BALSA CORED LAMINATE ON HORIZONTAL SURFACES PROVIDES STIFFNESS AND LIGHT WEIGHT. ADDITIONALLY OFFERS SOUND AND THERMAL INSULATION.

EASILY CLEANED/ MAINTAINED FRP OVERHEAD PANELS

REMOVABLE ACCESS PANEL FOR CONVENIENT FUTURE SERVICE

1/4" ALUMINUM OR FRP BACKING PLATE ON ALL STRUCTURAL HARDWARE

BALANCED, BI-DIRECTIONAL FRP LAMINATE SCHEDULE. HIGH STRENGTH, LOW WEIGHT. LOW WEIGHT ON DECK = GREATER STABILITY.



VARIAN D